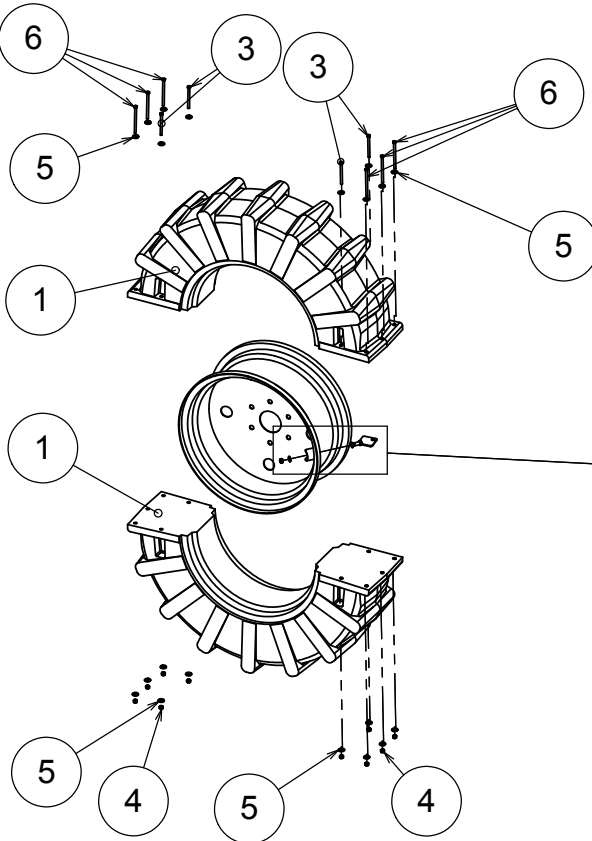
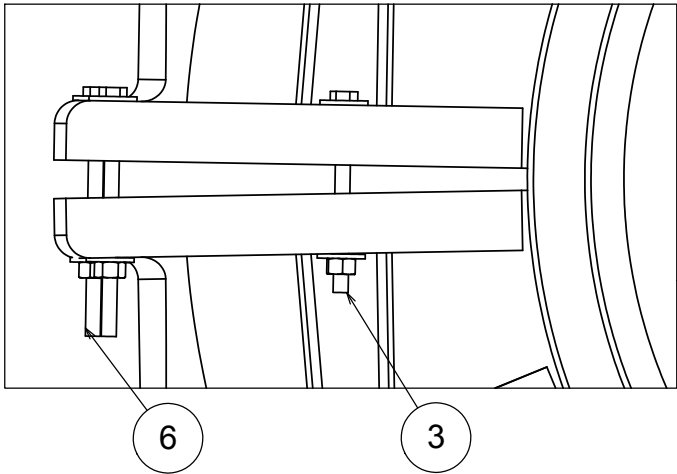
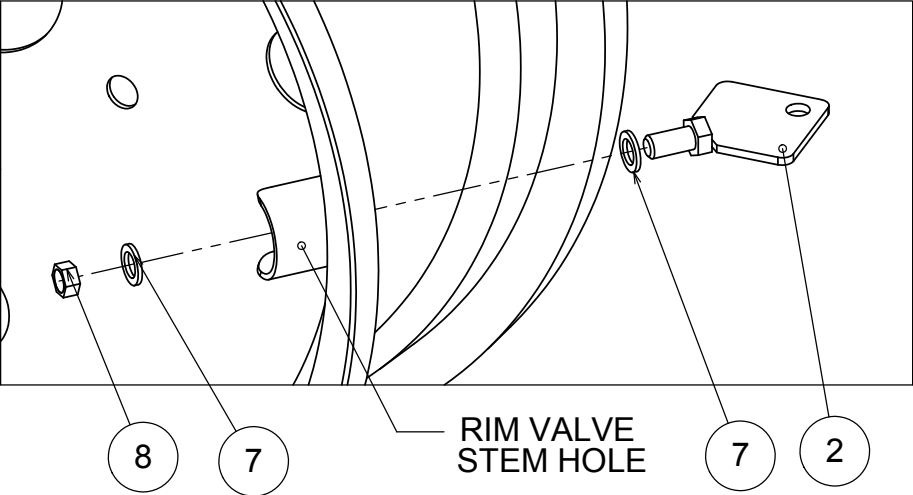


# EXPLODED VIEW



MACH II TIRE ASSEMBLY INSTRUCTIONS		
ITEM NO.	DESCRIPTION	QTY.
1	PLASTIC TIRE	2
2	TRACTION PLATE	1
3	3/8" X 3-3/4" BOLT	4
4	3/8" NUT	10 or 12
5	3/8" WASHER	20 or 24
6	3/8" X 5" BOLT	6 or 8
7	1/2" WASHER	2
8	1/2" NUT	1



# FULLY ASSEMBLED FRONT VIEW

